

GSX Series

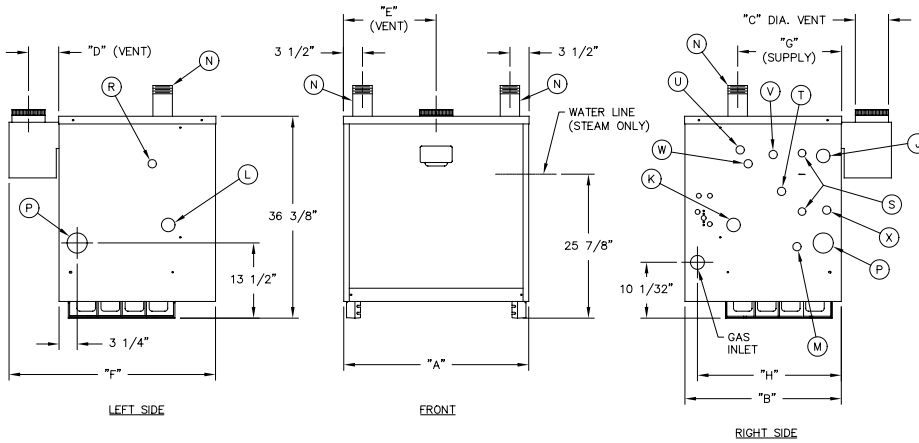


Smith
CAST IRON BOILERS



GSX Series

GAS-FIRED RESIDENTIAL STEAM BOILERS

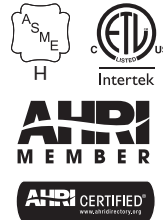


Tapping Locations

Location	Size N.P.T	Steam
J	1-1/4"	Skim Tapping
K	1"	Tank Supply/Limit
L	1"	Tank Return
M	3/4"	Boiler Drain
N	3"	Supply
P	2-1/2"	Return
R	3/4"	Safety Valve
S	1/2"	Gauge Glass
T	3/4"	Primary Probe Low Water Cut-Off
U	3/4"	Primary Limit
V	3/4"	Secondary Limit
W	3/4"	Pressure Gauge
X	3/4"	Secondary Probe Low Water Cut-Off

GSX Specifications

Boiler Model Number	Input MBH	Heating Capacity MBH	Net Ratings		Water Content Steam (Gallons)	Approx Shipping Weight (LBS)	*A.F.U.E. %
			Sq. Ft.	MBH			
GSX-88	88.5	74	233	56	9.3	465	83.0
GSX-118	118.0	98	308	74	9.3	465	82.6
GSX-147	147.5	123	383	92	10.8	576	82.6
GSX-177	177.0	147	458	110	10.8	576	82.4
GSX-206	206.5	171	533	128	12.4	700	82.3
GSX-236	236.0	196	613	147	12.4	700	82.2
GSX-288	287.5	238	746	179	13.9	812	82.0



GSX Dimensions

Boiler Model Number	Jacket Width "A"	Jacket Depth "B"	Vent Size "C"	Rear of Jkt. to C/L of Vent "D"	Left of Jkt. to C/L of Vent "E"	Overall Depth "F"	Rear of Jkt. to C/L of Supply "G"	Rear of Jkt. to C/L of Gas Inlet "D"
GSX-88	16-1/8"	28-1/8"	6"	5-5/8"	8-1/16"	37-1/4"	18-11/16"	25-7/8"
GSX-118	20-3/8"							
GSX-147			7"	5-1/8"	10-3/16"			
GSX-177								
GSX-206			8"	6-5/8"	12-5/16"			
GSX-236								
GSX-288	28-7/8"	9"	6-1/8"	14-7/16"	39-1/4"			

*A.F.U.E. all based on intermittent pilot/vent damper NG.

MINIMUM CLEARANCES TO COMBUSTIBLES
 Top: 30"
 Sides & Rear: 6"
 Front: ALCOVE
 Vent Pipe: 6"

STANDARD EQUIPMENT

- Cast iron section block assembled and tested
- Factory assembled base including 24 volt combination dual gas valve control, gas burners and manifold
- Intermittent spark ignition
- Insulated metal jacket
- Boiler drain valve
- Integral draft hood
- HYDROLEVEL CG-450 low water cutoff
- PA404A pressure limit control
- Water gauge glass
- Steam pressure gauge
- Safety valve 15 psi
- Automatic vent damper with wiring harness

OPTIONAL

- Propane gas

Smith
CAST IRON BOILERS

(413) 562-9631 • FAX: (413) 562-3799
 Canada: (905) 670-5888 • FAX: (905) 670-5782
www.smithboiler.com